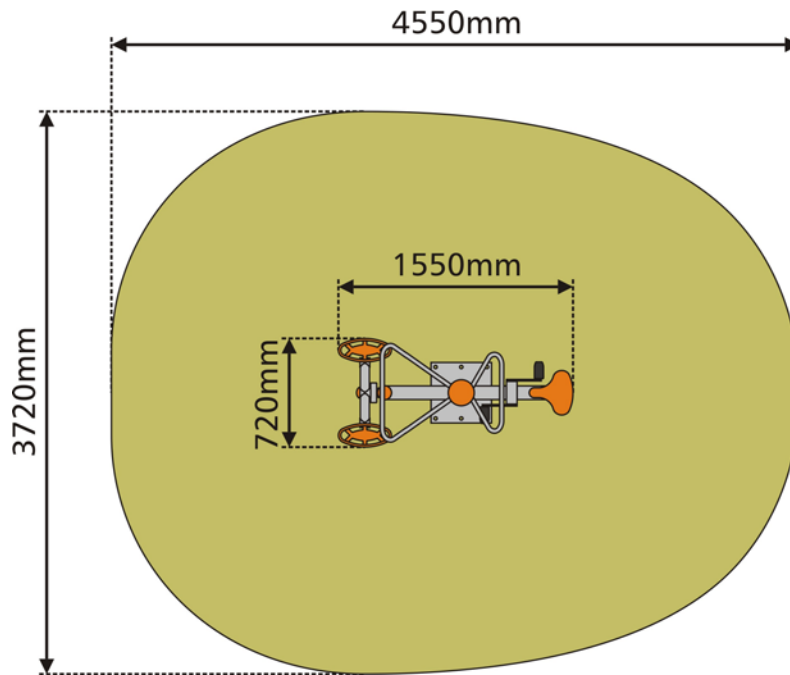


Technical Characteristics FE 02



length / width / height	1550 x 720 x 1515 mm
Floor Space Required / m ²	1,12 m ²
Volume / m ³	1,69 m ³
Safe Distance / m	1,5 m
Weight / kg	73,70 kg
Main Column	Diameter: 165 mm, Strength: 5 mm
Moving Parts	Diameter: 60 mm, Strength: 3 mm
Connecting Parts	Diameter: 90 mm, Strength: 3 mm
Metal parts	Steel, galvanized and painted RAL 9006 (white aluminium)
Pipe caps	Galvanized steel, embossed, lacquered, riveted RAL 2008 (bright red orange)
Plastic parts	PPM4 418 (injection moulding) HPPE 464 (blow moulding) RAL 2008 (bright red orange)